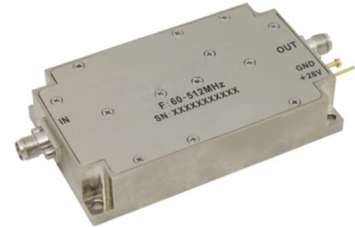




60-512MHz Input Over Drive Front End Protector

Features

- Wide Band operation 60-512MHz
- Active, High Isolation Limiter
- Low Insertion Loss and Good Return Loss
- High Power Handle Capability up to 10W
- Customization available upon request



Parameters	Min.	Typ.	Max.	Units
Frequency Range	60		512	MHz
CW Input Power			10	W
Peak Power (<10% <2us)		20		W
Insertion Loss		0.8	1.3	dB
VSWR		1.5	2.6	: 1
Flat Leakage			-20	dBm
Peak Power Leakage		-20		dBm
Current		280		mA
Weight	4.5 Max.			ounces
Input / Output Connectors	SMA - Female			
Material	Aluminum			
Finish	Nickel Plated			

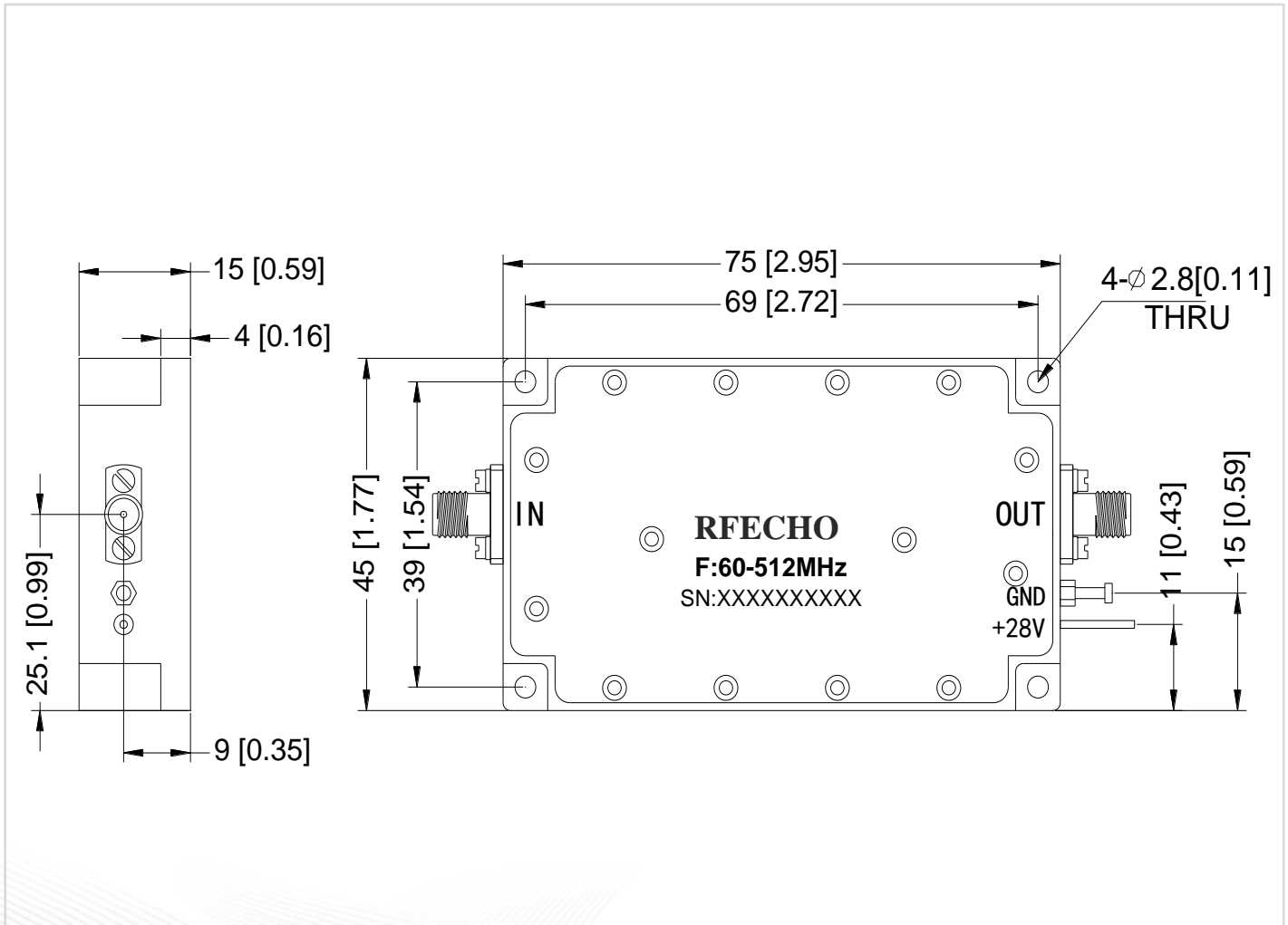


Environmental Specifications

Operational Temperature (°C)	-40°C to +85°C
Storage Temperature (°C)	-50°C to +105°C
Altitude	35,000 ft. (Epoxy Sealed Controlled environment)
	60,000 ft. 1.0psi min (Hermetically Sealed Un-controlled environment) (Optional)
Vibration	25g RMS (15 degrees 2KHz) endurance, 1 hour per axis
Humidity	100% RH at 35°C, 95%RH at 40°C
Shock	20G for 11msec half sine wave,3 axis both directions

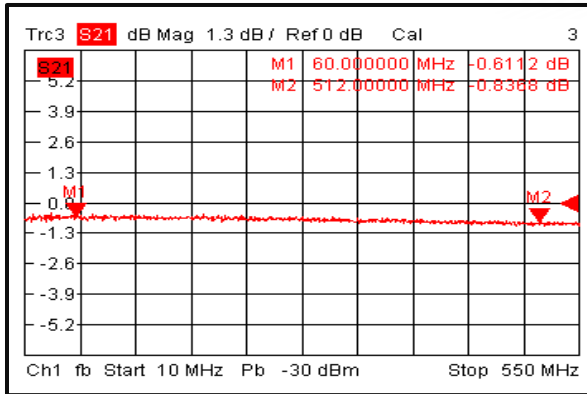
Outline Drawing:

All Dimensions in mm (inches) Tolerance ± 0.2 (0.008)

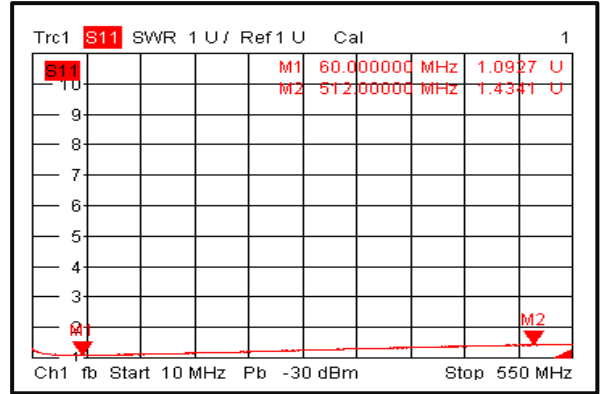




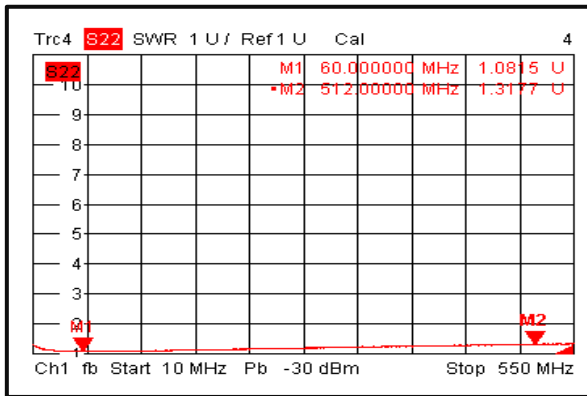
Insertion Loss



Input VSWR



Output VSWR



Power Output VS Power Input

