

Standard Horn Antenna

OLB-137-20

This WR-137 standard gain horn antenna has a GAIN (19-21)dBi across the band and a square cover flange. It has a frequency of (5.85-8.20)GHz .

Standard gain horn antenna OLB-137-20 is known as a waveguide horn covers WG14, WR137,R70 bands. It is manufactured using the precision electrode cut copper sections providing accurate, consistent and reliable performance.

This antenna is suitable for Antenna Ranges ;Antenna Gain Measurements; SystemSetups.
HPBW of OLB-137-20 has a V-Plane & H-Plane beam width from 18 degree to 23 degree.



Features

- _____ Precisely Machined and Gold Plated
- _____ Low VSWR
- _____ Light Weight
- _____ Linear Polarization
- _____ Low Return Loss
- _____ Rectangular Waveguide Interface
- _____ Lower sidelobes and symmetrical radiation patterns

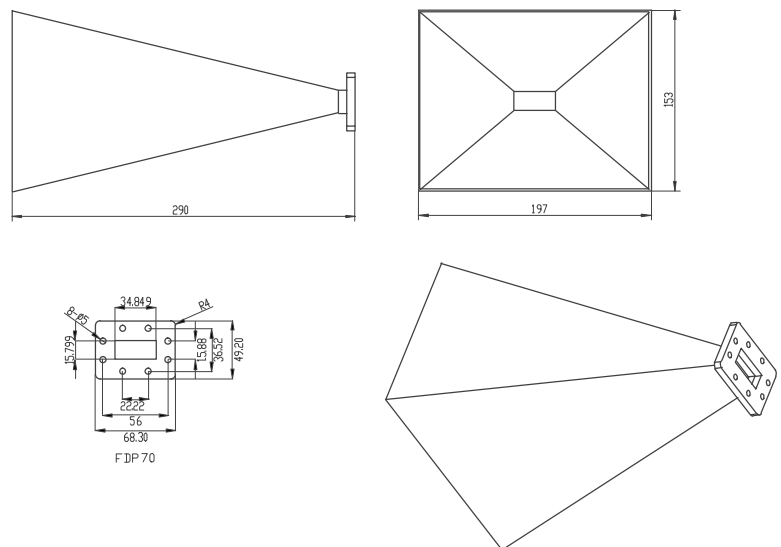
Applications

- _____ Antenna Ranges
- _____ Antenna Gain Measurements System Setups
- _____ Array Elements

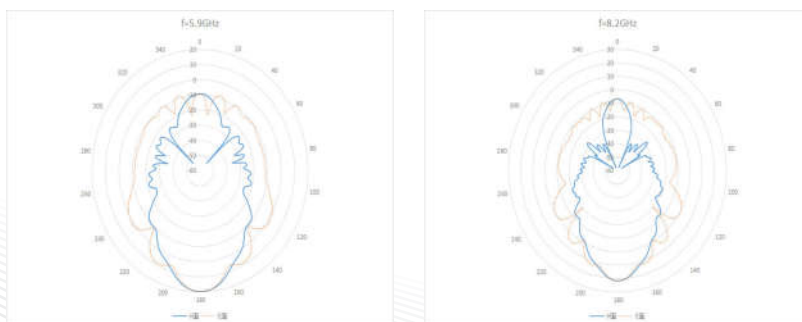
Electrical Specifications

Frequency Range(GHz)	5.85-8.20
Gain(dB)	20 Typ.
HPBW	H-Plane 18° / V-Plane 18°
Waveguide	WR137
Material	Al
Output	FBP70 N-F or SMA-F
Size(mm) W x H x L	197x153x290 197x153x338
Net Weight(Kg)	0.6 Around 0.7 Around

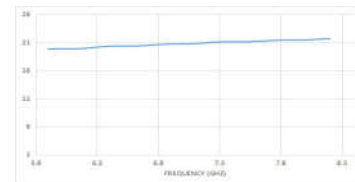
PRODUCT DIMENSIONS



AZIMUTH PATTERN



GAIN



VSWR

