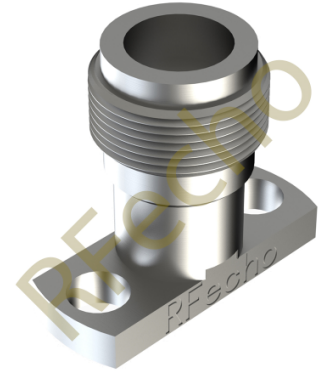


1.85mm (V) Jack (Female) 2 Hole .500 Long D180-P12-F04



This is model D180-P12-F04, 1.85mm connectors are durable, operational temperature rating of -55°C to +165°C. 1.85mm connectors provide mode-free operation through 67 GHz, offering well-matched impedance, excellent repeatability, having the low VSWR and RF leakage (≤ -100 dB).

Features

low VSWR
free through 67 GHz and less than -100 dB RF leakage.

Available Accessories

50 ohm Seal

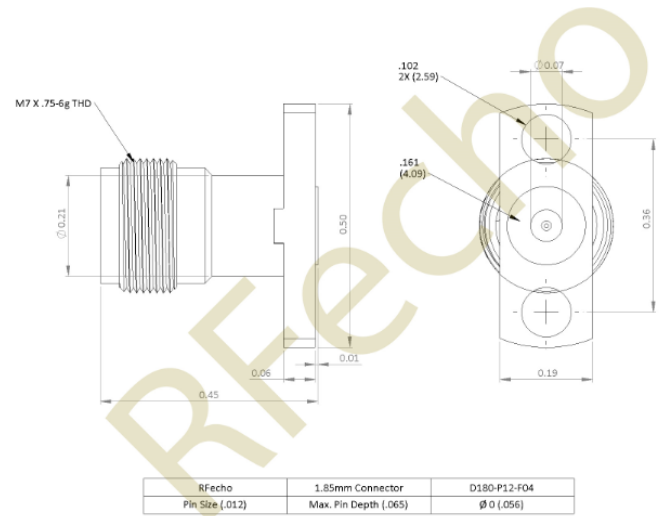
Applications

Telecom Communication
Sub-assemblies
Radio equipment and instruments
Wireless Communication
Test Labs
Instrumentations

Electrical Specifications

Frequency	(18-67) GHz
Flange Size	.500 L
Mounting	2-Hole Flange
Hermetic Seal Available	YES
Accepts Pin Diameter	.012
Gender	Female
Flange Hole Diameter	0.102
Tools, C-bore	T-291-5
Tools, Solder	T-212-15

PRODUCT DIMENSIONS



Isolation & VSWR

